

### i840-50

JOINT WIDTH	MOVEMENT +/-	
	HORIZONTAL	VERTICAL
MM	MM	MM
50	25	+10/-50



www.iChemEG.com

#### RIGHTS OF DESIGN

All rights of design, detail, engineering and/or invention contained herein are the property of iChemEG systems corporation and hereby reserved and are not to be reproduced or provided to any other party. iChemEG systems corporation reserve the right to amend or withdraw any information contained herein without notice and will not be liable for any inaccuracy or ambiguity of said information

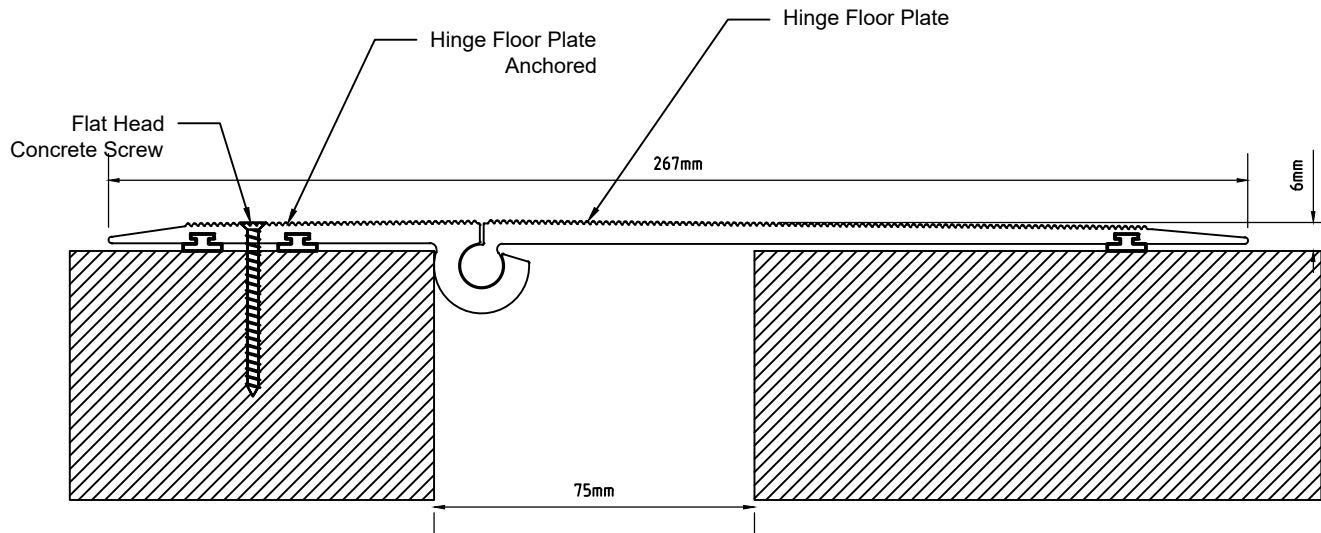
DATE: 19/02/2024

SCALE: NTS

FINISH: ALUM.FINISH-MILL

PROJECT:

LOCATION:



### i840-75

JOINT WIDTH	MOVEMENT +/-	
	HORIZONTAL	VERTICAL
MM	MM	MM
75	50	+10/-50



www.iChemEG.com

#### RIGHTS OF DESIGN

All rights of design, detail, engineering and/or invention contained herein are the property of iChemEG systems corporation and hereby reserved and are not to be reproduced or provided to any other party. iChemEG systems corporation reserve the right to amend or withdraw any information contained herein without notice and will not be liable for any inaccuracy or ambiguity of said information

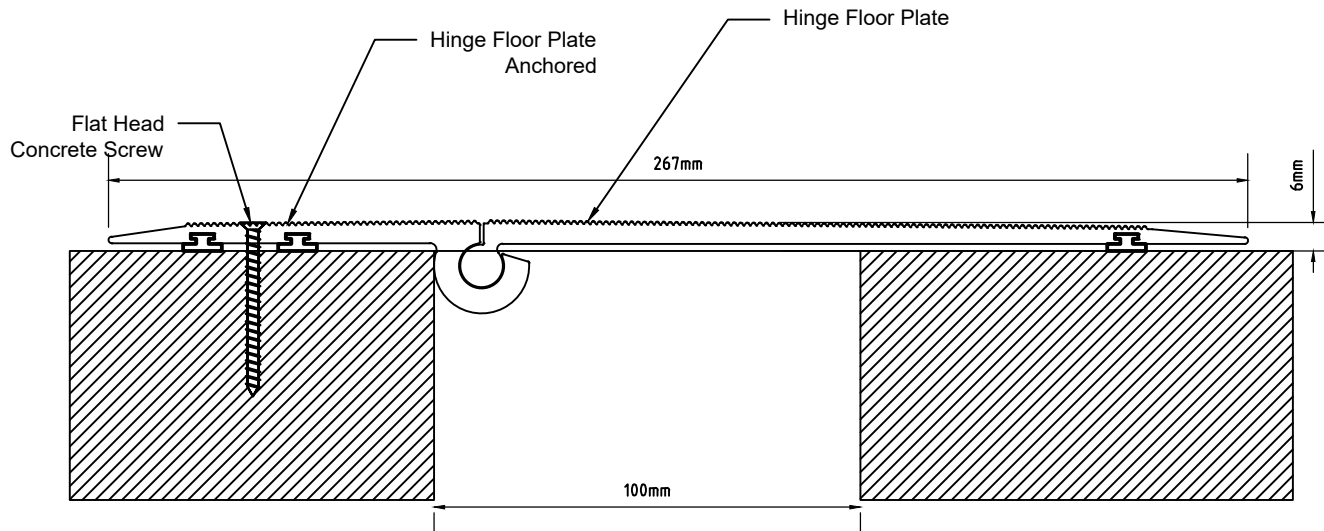
DATE: 19/02/2024

SCALE: NTS

FINISH: ALUM.FINISH-MILL

PROJECT:

LOCATION:



### i840-100

JOINT WIDTH	MOVEMENT +/-	
	HORIZONTAL	VERTICAL
MM	MM	MM
100	50	+10/-50



www.iChemEG.com

#### RIGHTS OF DESIGN

All rights of design, detail, engineering and/or invention contained herein are the property of iChemEG systems corporation and hereby reserved and are not to be reproduced or provided to any other party. iChemEG systems corporation reserve the right to amend or withdraw any information contained herein without notice and will not be liable for any inaccuracy or ambiguity of said information

DATE: 19/02/2024

SCALE: NTS

FINISH: ALUM.FINISH-MILL

PROJECT:

LOCATION: