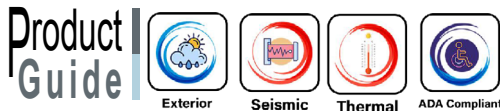


High Performance Joint and Crack Sealing

iFlex CS[®]



Description

iFlex CS[®] is a The unique design creates crisp sight lines and incorporates ribs on the sides to aid in pooling **EpoMortar SF[®]** and adding surface area for increased adhesion during installation. Comprised of Rubber, this system has superior movement while being highly resistant to UV degradation, extreme temperatures, and chemicals.

Key Features

- Joint width: 50-100mm.
- Optional fire rated
- Heavy pedestrian/moderate vehicular loading
- Heat weldable for watertight seams
- Standard Color: Black
- Excellent adhesion to many materials.
- Weather and water resistant.
- UV resistant.
- Good resistance to many chemicals.
- Versatile system suitable for many difficult situations.
- Extremely flexible.

Uses

Appropriate for horizontal & vertical applications Sealing system for expansion, construction and connection joints in:

- Hydro electric power plants.
- Sewage treatment plants.
- Parking Garage.
- Commercial.
- Recreation.
- Health-Care.



Application Instructions

Surface Preparation: Ensure that surfaces to be sealed are clean, dry, sound and free from frost. Age of concrete 4-6 weeks depending on environmental conditions. Clean all joints of release agents, water repellents, laitance, dust, dirt, old sealants and other contaminants which could impair adhesion. Nonporous surfaces should be cleaned and degreased by wiping with a suitable solvent such as **iSolv S40[®]** Universal Cleaner on an oil and lintfree cloth before application of sealant. Porous substrates should be mechanically cleaned using a steel brush, sanding disc or any similar means. Note: When using any solvent, always provide adequate ventilation. Avoid heat, sparks and open flames. Use solvent resistant gloves. Observe and follow all precautions listed on solvent container label.

Installation: Measure and cut to exact length needed for continuous length, being careful not to pull or stretch the membrane. Make sure that both deck edge surfaces are properly levelled. High spots shall be cut and low spots shall be filled in. Do not install if the joint's anticipated movement will exceed the system's movement range.

Do not allow any of the components to freeze prior to installation. Store all **EpoMortar SF[®]** out of direct sunlight in a dry location.

Periodically inspect the applied material and repair localized areas as needed.

iFlex CS[®]

Consult an **iChemEG** representative for additional information. Proper application is the responsibility of the user. Field visits by **iChemEG** personnel are for the purpose of making technical recommendations only and not for supervising or providing quality control on the jobsite.

Mixing EpoMortar SF[®]: Mix parts A+B together for at least 2 minutes with a mixing spindle attached to a slow speed electric drill (max. 500 rpm) until the material becomes smooth in consistency .

Avoid aeration while mixing. Then, pour the whole mix into a clean container and stir again for approx.

1 more minute at low speed to keep air entrapment at a minimum. Mix only that quantity which can be used within its potlife.

Selection of iFlex CS[®] tape size: Selection of the correct tape size (width) and of a suitable **iChemEG** adhesive depends on the expected performance. If necessary, ask for technical advice.

For higher movement, place and fix tape in a loop into the joint.

Apply a suitable thoroughly mixed **EpoMortar SF[®]** adhesive on both sides of the joint / crack onto the prepared substrate, using a suitable trowel. If the concrete substrate is damp, force the adhesive well into the substrate. Layer thickness of adhesive should be 2 mm.

Apply the **EpoMortar SF[®]** tape within the open time of the adhesive. Press the tape firmly and without trapping air into the adhesive by using a suitable roller.

Store

Store components in original containers in a clean, dry location. Ensure temperature or moisture sensitive components are stored in a tempered location.

Contractor to provide temporary protective covers on all installed finished surfaces. Protection is required to guard against both surface abrasions as well as overloading of horizontal deck components by construction traffic .

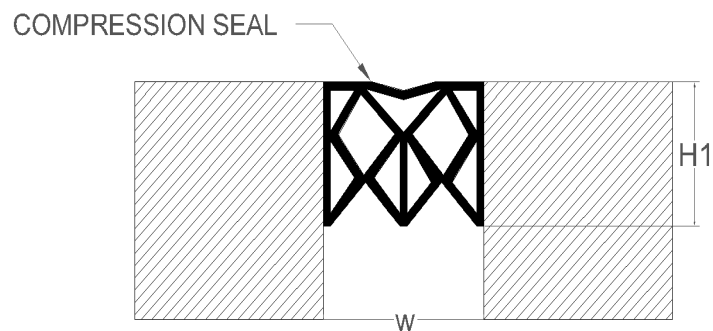
Protect: The **iFlex CS[®]** Tape must be protected from mechanical damage.

Movement ± 50%

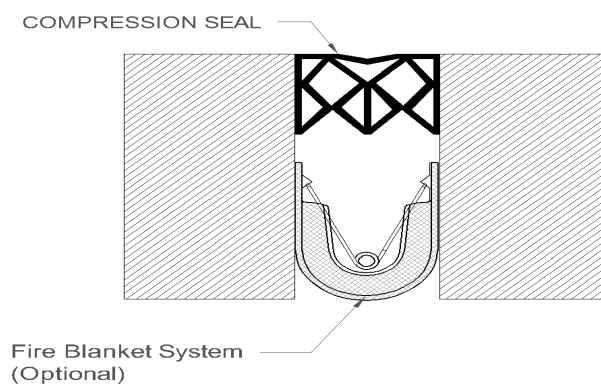
System	W	H1	L
	Joint Width	Seal Height	Load
	mm	mm	Kn
iFlex CS -25	20-30	50	60
iFlex CS -50	40-60	75	60
iFlex CS -75	60-80	100	50
iFlex CS -100	90-110	125	50

iFlex CS[®]

Series iFlex CS



Series iFlex CS - FireStop S30 Options



Technical Data Sheet - January 2024, Version 1.1.5

