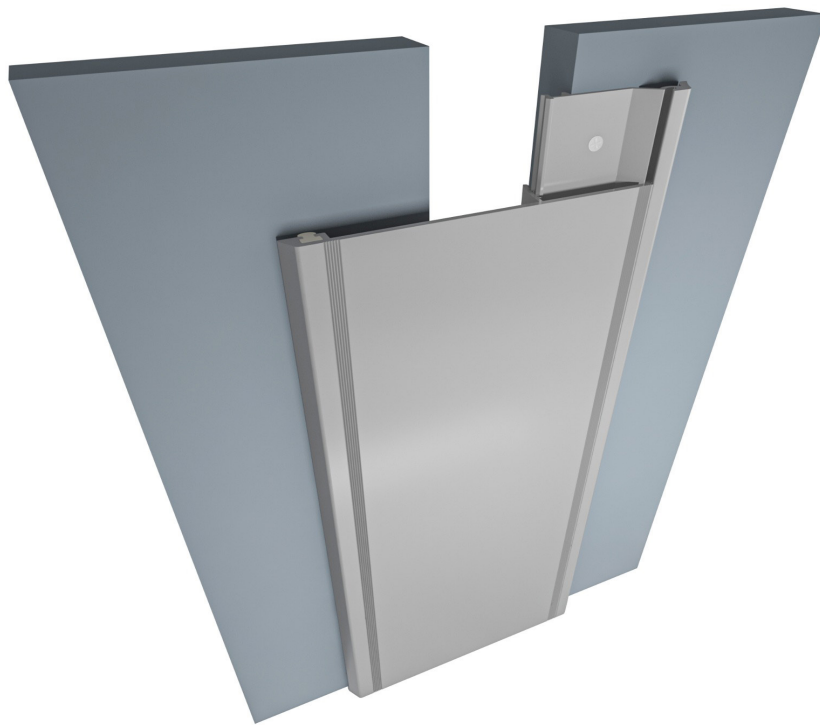




# Installation Instructions

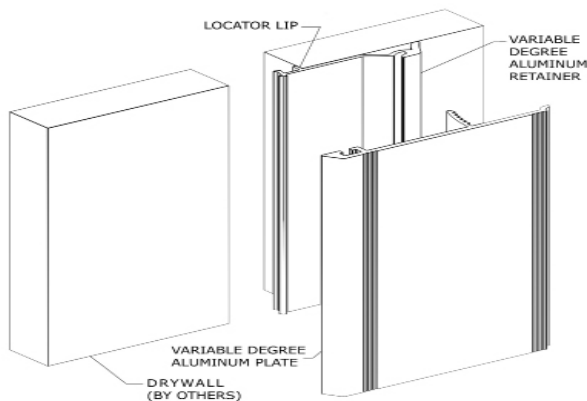
## i870<sup>®</sup>



## Preparation of the Work Area:

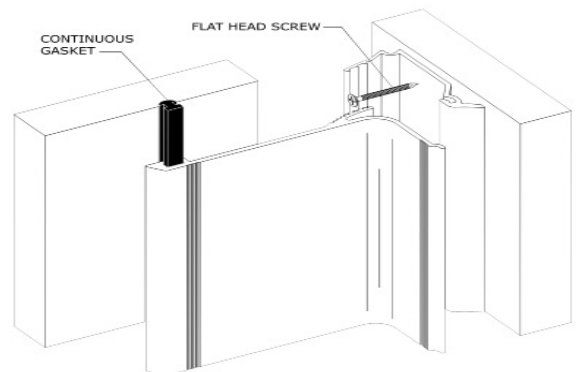
1. Please read through entire instructions before installation.
2. Make sure the width and depth of the joint face are 90 ° to the slab's surface.
3. Measure along length of joint to ensure opening is correct size for joint material.
4. Remediate deviations that exceed product tolerances.
5. To ensure successful installation, clean the blockout/joint edge of all contaminants and impurities.

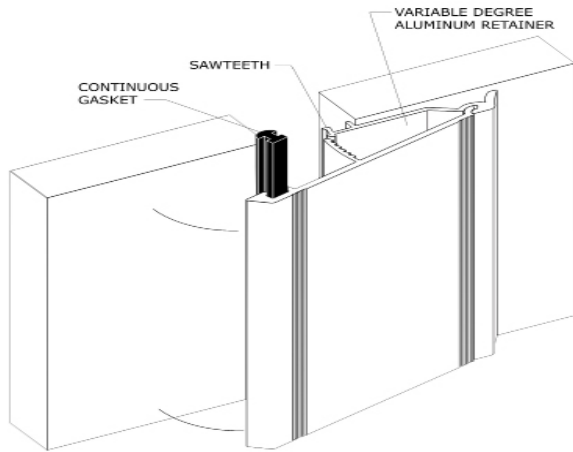
## Installation Instructions Steps:



1. Install the architectural joint system on a level surface. This may require adding leveling compound to raise the tops of the frames
2. Cut the aluminum variable degree retainer and plate components to the desired length

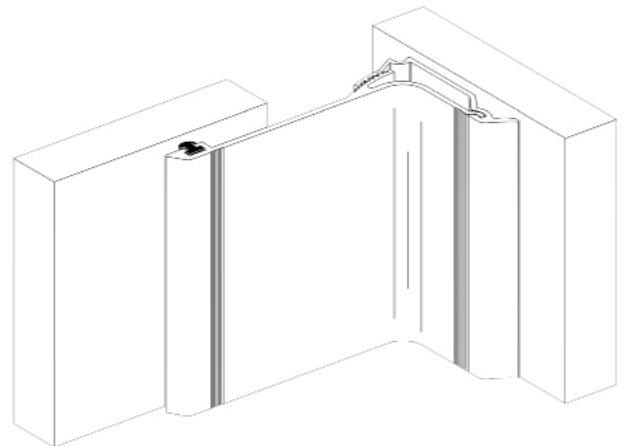
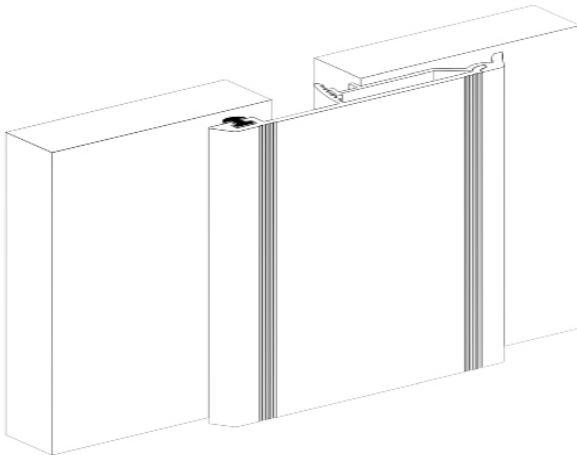
3. Align retainer level





4. Cut the vinyl gasket to the same length as the plate and slide into the dart receptacle on the backside
5. Insert the curved edge of the plate into the corresponding slot of the retainer. With even pressure, rotate the plate towards the wall face until the sawteeth engage into the retainer
6. Firmly press center of plate against the wall applying uniform pressure until the gasket is seated snug to the wall and the plate is at the desired level

7. Clean the exposed surfaces with a non-solvent cleaner



Installation Instructions- January 2024, Version 1.1.5

