



# Installation Instructions

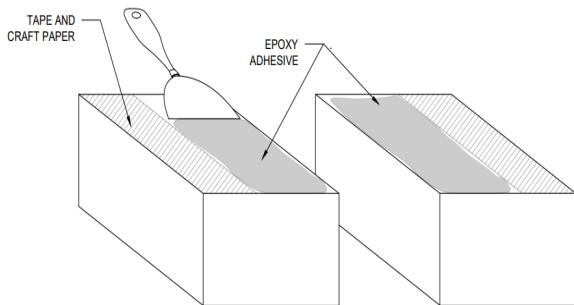
## iFlex PVC<sup>®</sup>



## Preparation of the Work Area:

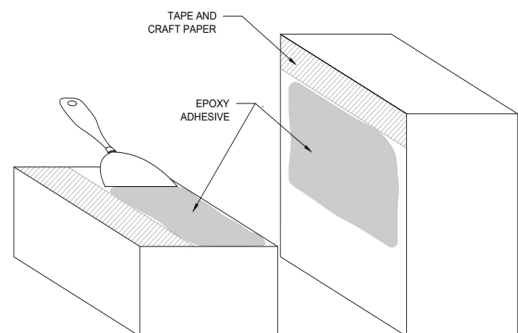
1. Please read through entire instructions before installation.
2. Make sure the width and depth of the joint face are 90 ° to the slab's surface.
3. Measure along length of joint to ensure opening is correct size for joint material.
4. Remediate deviations that exceed product tolerances.
5. To ensure successful installation, clean the blockout/joint edge of all contaminants and impurities.

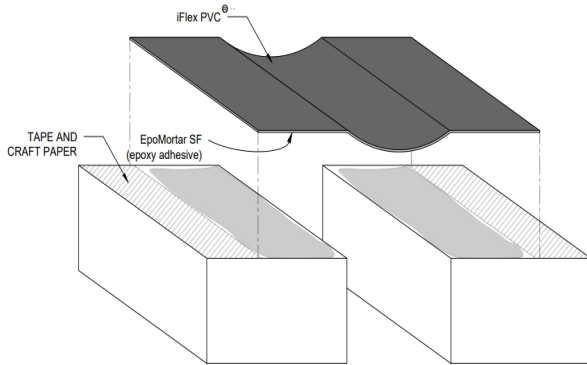
## Installation Instructions Steps:



1. Before installing vapor barrier into joint system pre-assemble section runs remembering to allow for extra length on each end. Clean ends with PVC primer
2. When installing vapor barrier using expansion joint cover frames, PVC tape against substrate free of dirt, oil and loose debris
3. Ensure the butt ends of both mating sections are snug against each other

4. Prime surface where adhesive strip will contact PVC surface
5. Once splice is complete, apply pressure with hand roller to area ensuring the adhesive strips are uniformly adhered and form a water tight seal





- Apply adhesive sealant to underside of flaps and fold over end condition. Seal the flanged edges and any open areas with adhesive to ensure a watertight seal
- Epoxy should be applied to both the inside joint walls and ribbed walls of the seal using a margin trowel or chip brush

- Make a overlap of at least 10 cm of PVC tape at the joints to ensure no water leakage
- As seal is installed, clean the visible surface and ensure epoxy has been filled flush to top surface
- Once installation is complete, remove tape from joint edge. Clean any adhesive off of joint surface

