

iFlex CSW-C-25

JOINT WIDTH	MOVEMENT +/-	
	MINIMUM	MAXIMUM
MM	MM	MM
25	13	38



www.iChemEG.com

RIGHTS OF DESIGN

All rights of design , detail , engineering and/or invention contained herein are the property of iChemEG systems corporation and hereby reserved and are not to be reproduced or provided to any other party. iChemEG systems corporation reserve the right to amend or withdraw any information contained herein without notice and will not be liable for any inaccuracy or ambiguity of said information

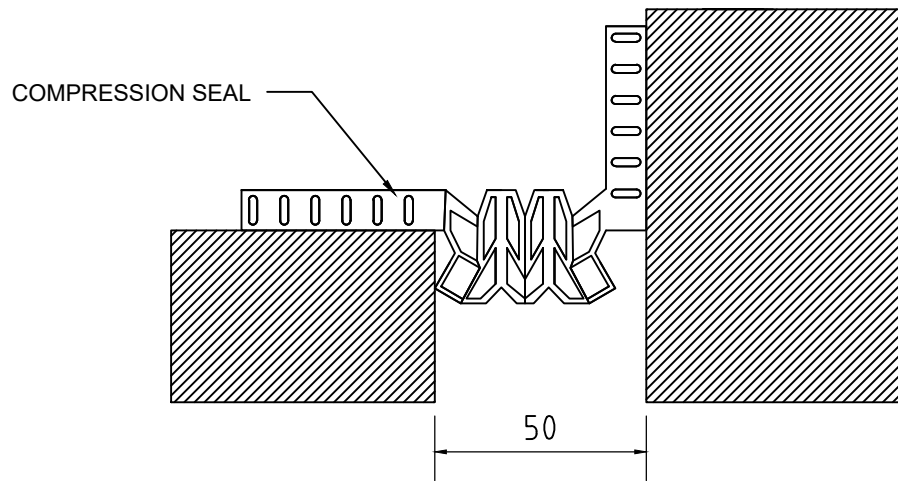
DATE: 19/02/2024

SCALE: NTS

FINISH: ALUM.FINISH-MILL

PROJECT:

LOCATION:



iFlex CSW-C-50

JOINT WIDTH	MOVEMENT +/-	
	MINIMUM	MAXIMUM
MM	MM	MM
50	25	75



www.iChemEG.com

RIGHTS OF DESIGN

All rights of design , detail , engineering and/or invention contained herein are the property of iChemEG systems corporation and hereby reserved and are not to be reproduced or provided to any other party. iChemEG systems corporation reserve the right to amend or withdraw any information contained herein without notice and will not be liable for any inaccuracy or ambiguity of said information

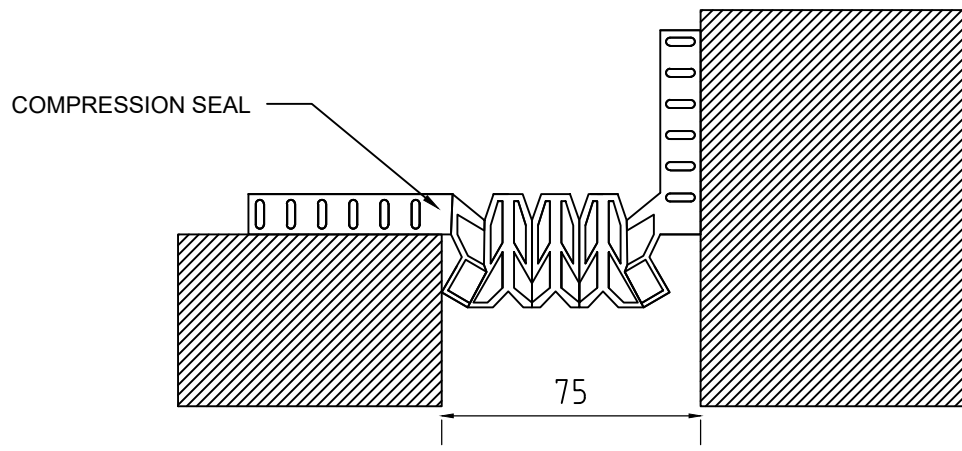
DATE: 19/02/2024

SCALE: NTS

FINISH: ALUM.FINISH-MILL

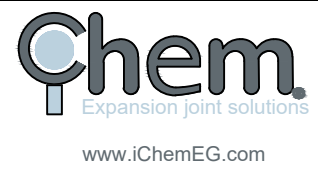
PROJECT:

LOCATION:



iFlex CSW-C-75

JOINT WIDTH	MOVEMENT +/-	
	MINIMUM	MAXIMUM
MM	MM	MM
75	38	115



RIGHTS OF DESIGN

All rights of design , detail , engineering and/or invention contained herein are the property of iChemEG systems corporation and hereby reserved and are not to be reproduced or provided to any other party. iChemEG systems corporation reserve the right to amend or withdraw any information contained herein without notice and will not be liable for any inaccuracy or ambiguity of said information

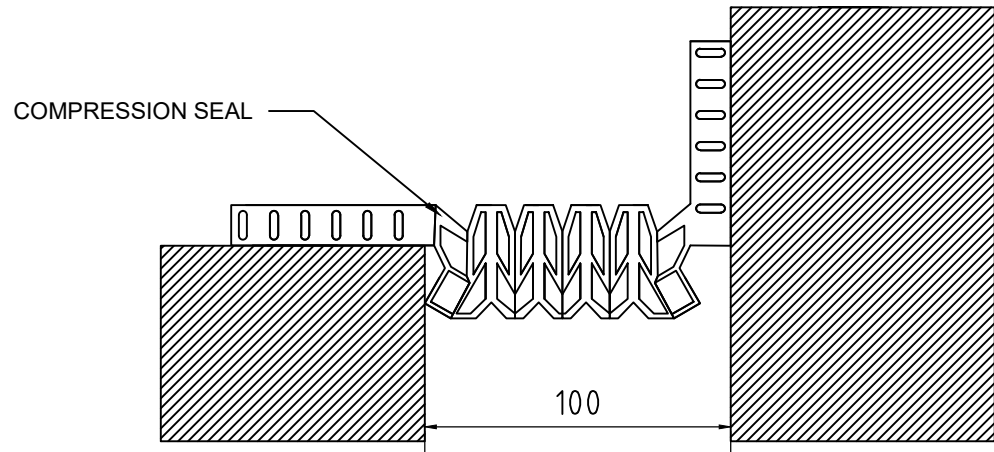
DATE: 19/02/2024

SCALE: NTS

FINISH: ALUM.FINISH-MILL

PROJECT:

LOCATION:



iFlex CSW-C-100

JOINT WIDTH	MOVEMENT +/-	
	MINIMUM	MAXIMUM
MM	MM	MM
100	50	150



www.iChemEG.com

RIGHTS OF DESIGN

All rights of design , detail , engineering and/or invention contained herein are the property of iChemEG systems corporation and hereby reserved and are not to be reproduced or provided to any other party. iChemEG systems corporation reserve the right to amend or withdraw any information contained herein without notice and will not be liable for any inaccuracy or ambiguity of said information

DATE: 19/02/2024

SCALE: NTS

FINISH: ALUM.FINISH-MILL

PROJECT:

LOCATION: