

i820-C-25

JOINT WIDTH	MOVEMENT +/-	
	HORIZONTAL	VERTICAL
MM	MM	MM
25	13	*



www.iChemEG.com

RIGHTS OF DESIGN

All rights of design , detail , engineering and/or invention contained herein are the property of iChemEG systems corporation and hereby reserved and are not to be reproduced or provided to any other party. iChemEG systems corporation reserve the right to amend or withdraw any information contained herein without notice and will not be liable for any inaccuracy or ambiguity of said information

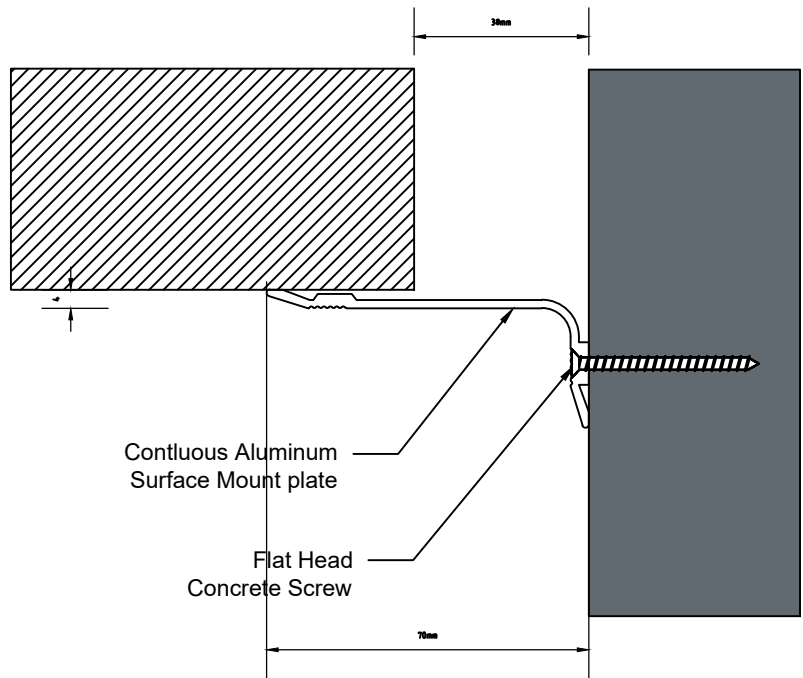
DATE: 19/02/2024

SCALE: NTS

FINISH: ALUM.FINISH-MILL

PROJECT:

LOCATION:



i820-C-38

JOINT WIDTH	MOVEMENT +/-	
	HORIZONTAL	VERTICAL
MM	MM	MM
38	19	*



www.iChemEG.com

RIGHTS OF DESIGN

All rights of design , detail , engineering and/or invention contained herein are the property of iChemEG systems corporation and hereby reserved and are not to be reproduced or provided to any other party. iChemEG systems corporation reserve the right to amend or withdraw any information contained herein without notice and will not be liable for any inaccuracy or ambiguity of said information

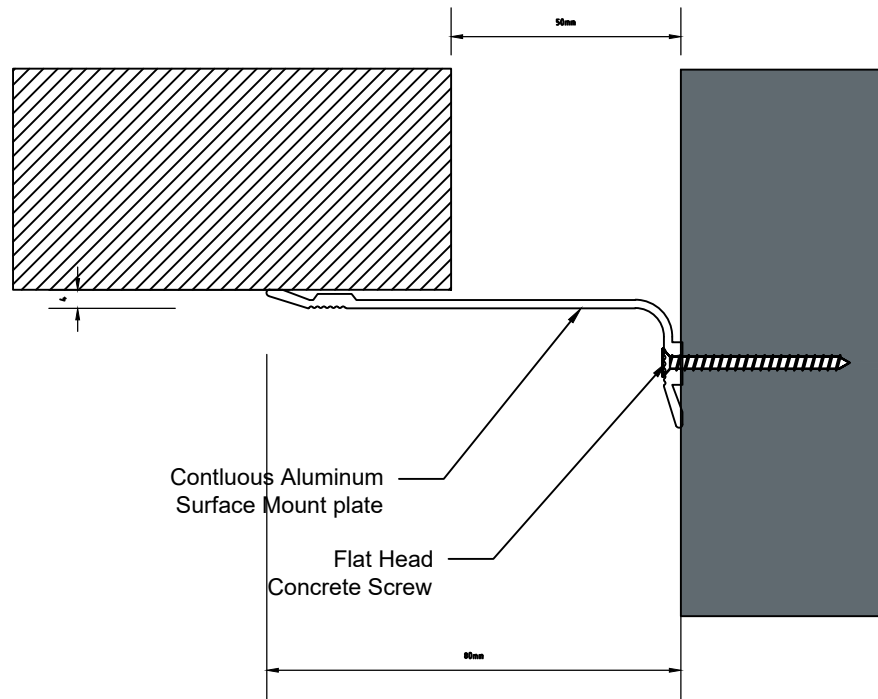
DATE: 19/02/2024

SCALE: NTS

FINISH: ALUM.FINISH-MILL

PROJECT:

LOCATION:



i820-C-50

JOINT WIDTH	MOVEMENT +/-	
	HORIZONTAL	VERTICAL
MM	MM	MM
50	25	*



www.iChemEG.com

RIGHTS OF DESIGN

All rights of design , detail , engineering and/or invention contained herein are the property of iChemEG systems corporation and hereby reserved and are not to be reproduced or provided to any other party. iChemEG systems corporation reserve the right to amend or withdraw any information contained herein without notice and will not be liable for any inaccuracy or ambiguity of said information

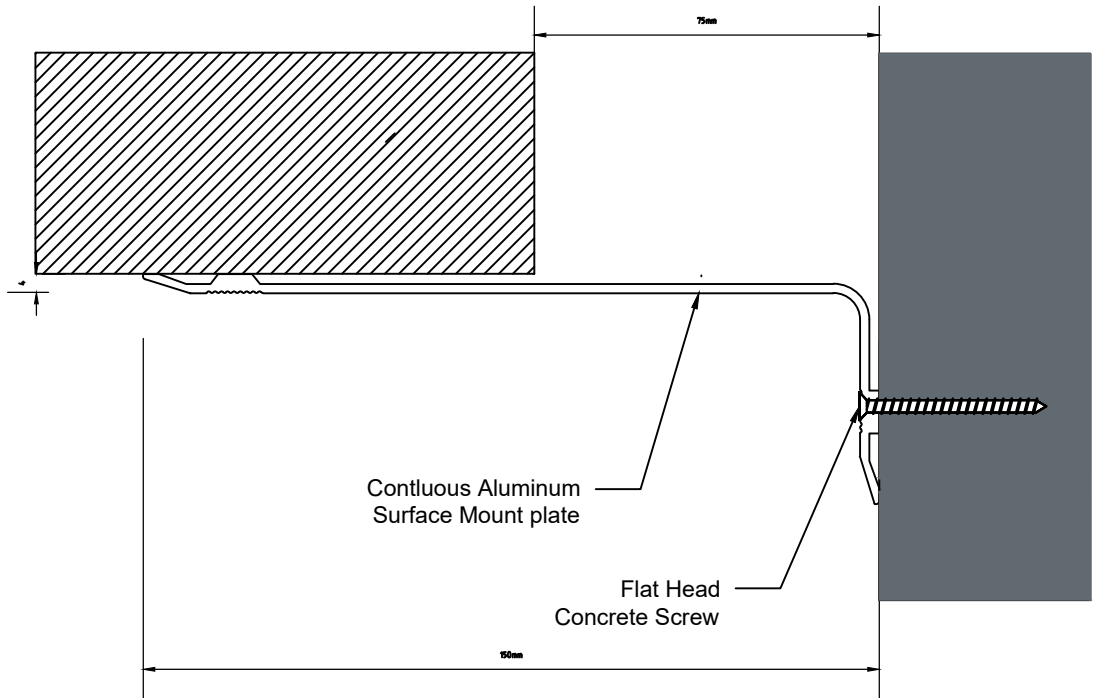
DATE: 19/02/2024

SCALE: NTS

FINISH: ALUM.FINISH-MILL

PROJECT:

LOCATION:



i820-C-75

JOINT WIDTH	MOVEMENT +/-	
	HORIZONTAL	VERTICAL
MM	MM	MM
75	38	*



www.iChemEG.com

RIGHTS OF DESIGN

All rights of design , detail , engineering and/or invention contained herein are the property of iChemEG systems corporation and hereby reserved and are not to be reproduced or provided to any other party. iChemEG systems corporation reserve the right to amend or withdraw any information contained herein without notice and will not be liable for any inaccuracy or ambiguity of said information

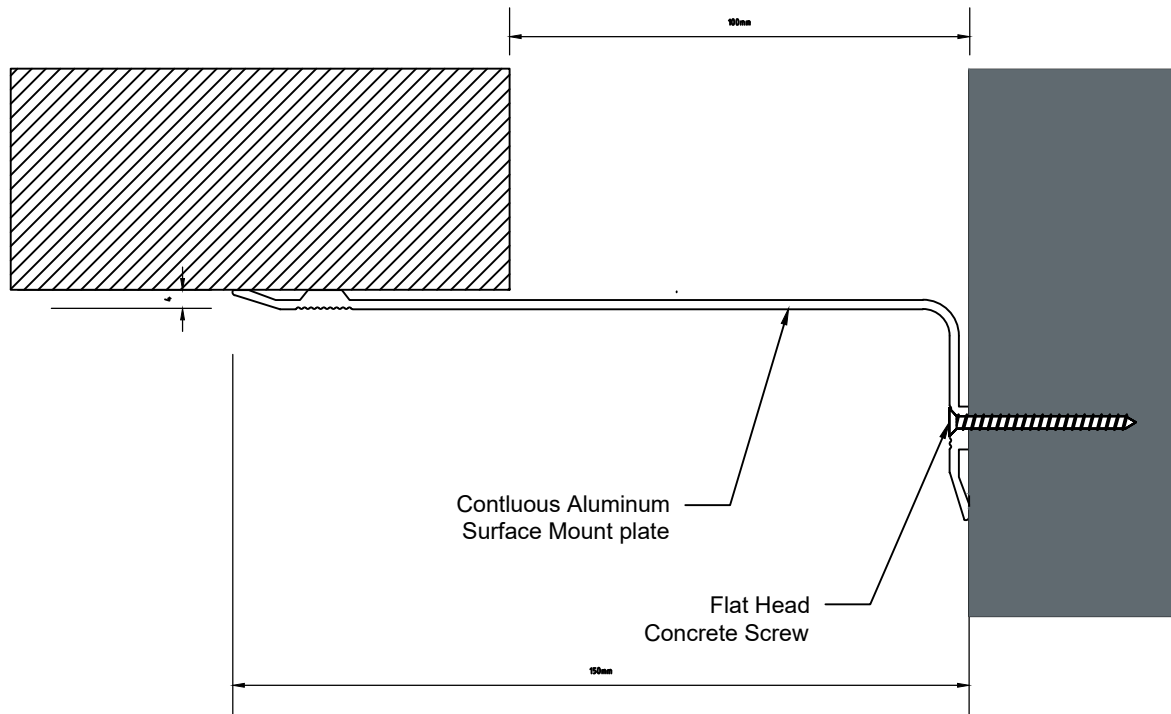
DATE: 19/02/2024

SCALE: NTS

FINISH: ALUM.FINISH-MILL

PROJECT:

LOCATION:



i820-C-100

JOINT WIDTH	MOVEMENT +/-	
	HORIZONTAL	VERTICAL
MM	MM	MM
100	50	*



www.iChemEG.com

RIGHTS OF DESIGN

All rights of design , detail , engineering and/or invention contained herein are the property of iChemEG systems corporation and hereby reserved and are not to be reproduced or provided to any other party. iChemEG systems corporation reserve the right to amend or withdraw any information contained herein without notice and will not be liable for any inaccuracy or ambiguity of said information

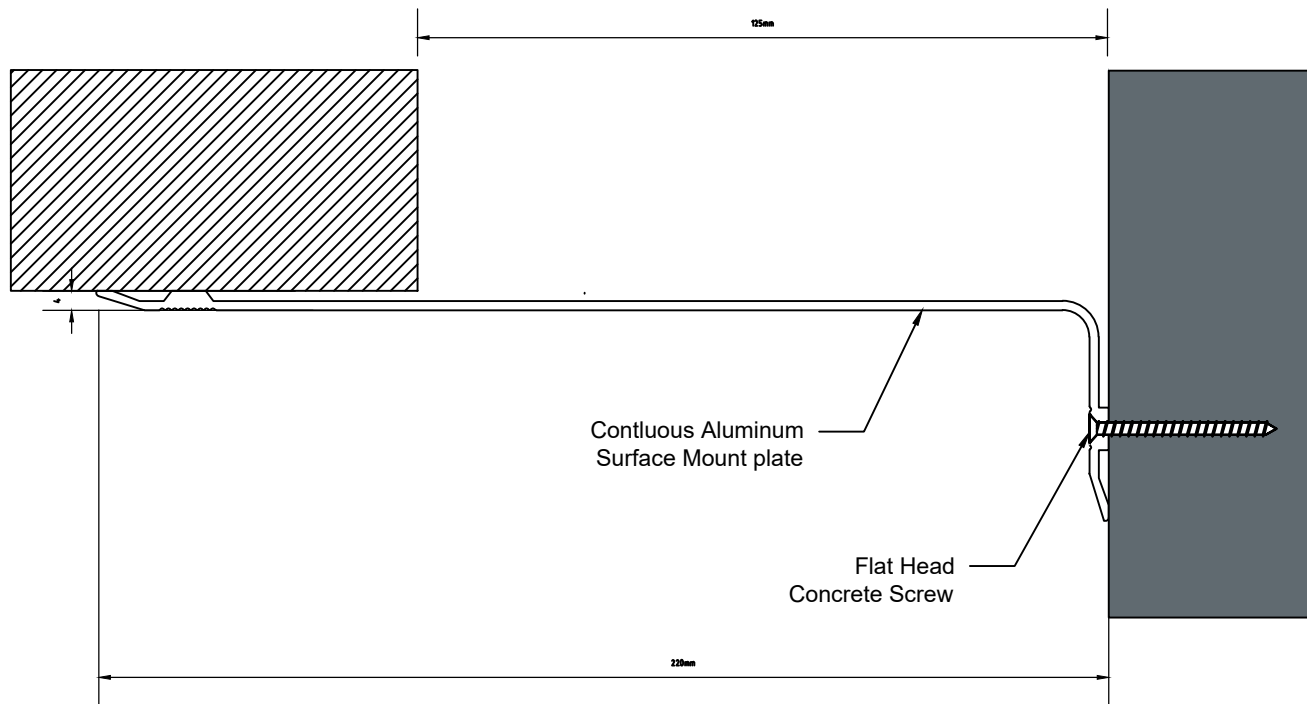
DATE: 19/02/2024

SCALE: NTS

FINISH: ALUM.FINISH-MILL

PROJECT:

LOCATION:



i820-C-125

JOINT WIDTH	MOVEMENT +/-	
	HORIZONTAL	VERTICAL
MM	MM	MM
125	65	*



www.iChemEG.com

RIGHTS OF DESIGN

All rights of design , detail , engineering and/or invention contained herein are the property of iChemEG systems corporation and hereby reserved and are not to be reproduced or provided to any other party. iChemEG systems corporation reserve the right to amend or withdraw any information contained herein without notice and will not be liable for any inaccuracy or ambiguity of said information

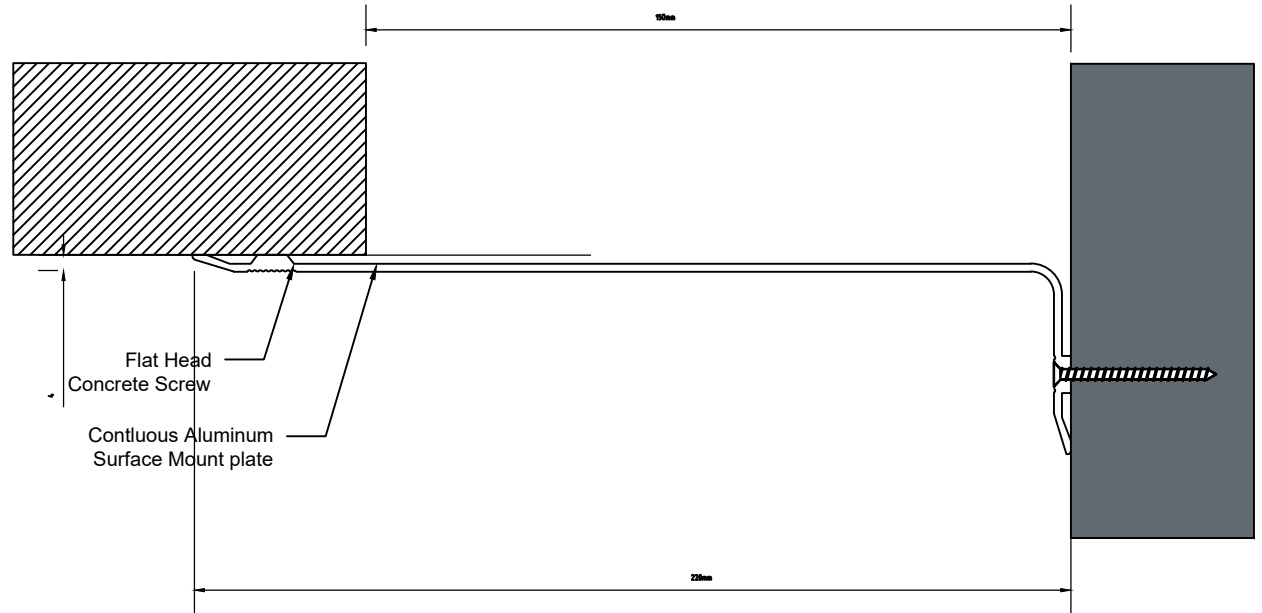
DATE: 19/02/2024

SCALE: NTS

FINISH: ALUM.FINISH-MILL

PROJECT:

LOCATION:



i820-C-150

JOINT WIDTH	MOVEMENT +/-	
	HORIZONTAL	VERTICAL
MM	MM	MM
150	75	*



www.iChemEG.com

RIGHTS OF DESIGN

All rights of design, detail, engineering and/or invention contained herein are the property of iChemEG systems corporation and hereby reserved and are not to be reproduced or provided to any other party. iChemEG systems corporation reserve the right to amend or withdraw any information contained herein without notice and will not be liable for any inaccuracy or ambiguity of said information

DATE: 19/02/2024

SCALE: NTS

FINISH: ALUM.FINISH-MILL

PROJECT:

LOCATION: