



Installation Instructions

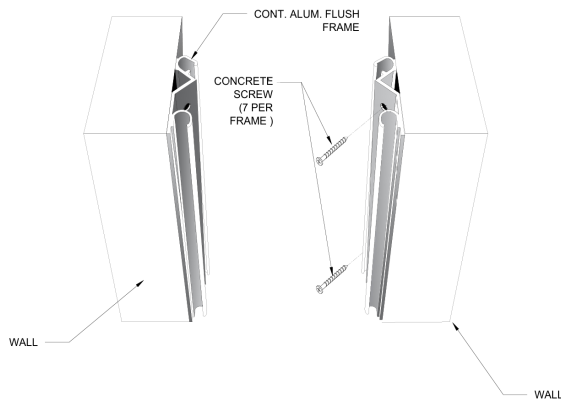
i730[®]



Preparation of the Work Area:

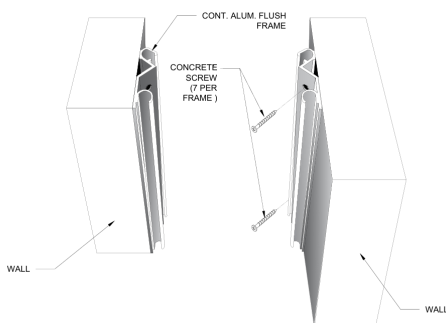
1. Please read through entire instructions before installation.
2. Make sure the width and depth of the joint face are 90 ° to the slab's surface.
3. Measure along length of joint to ensure opening is correct size for joint material.
4. Remediate deviations that exceed product tolerances.
5. To ensure successful installation, clean the blockout/joint edge of all contaminants and impurities.

Installation Instructions Steps:

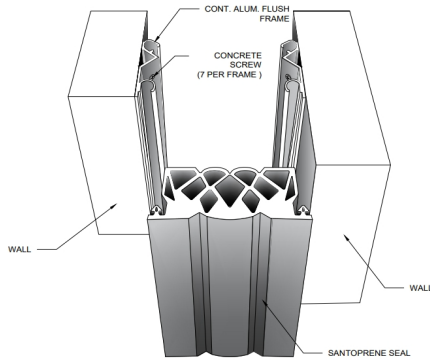


1. Install the architectural joint system on the wall
2. Cut the aluminum variable degree retainer and plate components to the desired length

3. Measure the wall height and making it slightly longer than required. Install seal in one continuous piece. Starting at the top of the joint, insert the seal lugs into the frame receptacles



4. Trim excess length of the seal at the base of the wall



5. Cut the face seal to a length slightly longer than required. Install the face seal as a continuous piece. Starting at the top of the joint, push the seal lugs into the frame receptacles
6. Trim the excess length at the base of the wall

7. Depending upon the project requirements, a continuous bead of caulk (by others) may be required to be installed where the outside edge of the face seal abut the substrate walls

8. Per project dictates, address details at the top of the wall where the system meets with the expansion joint on the roof or roof parapet

