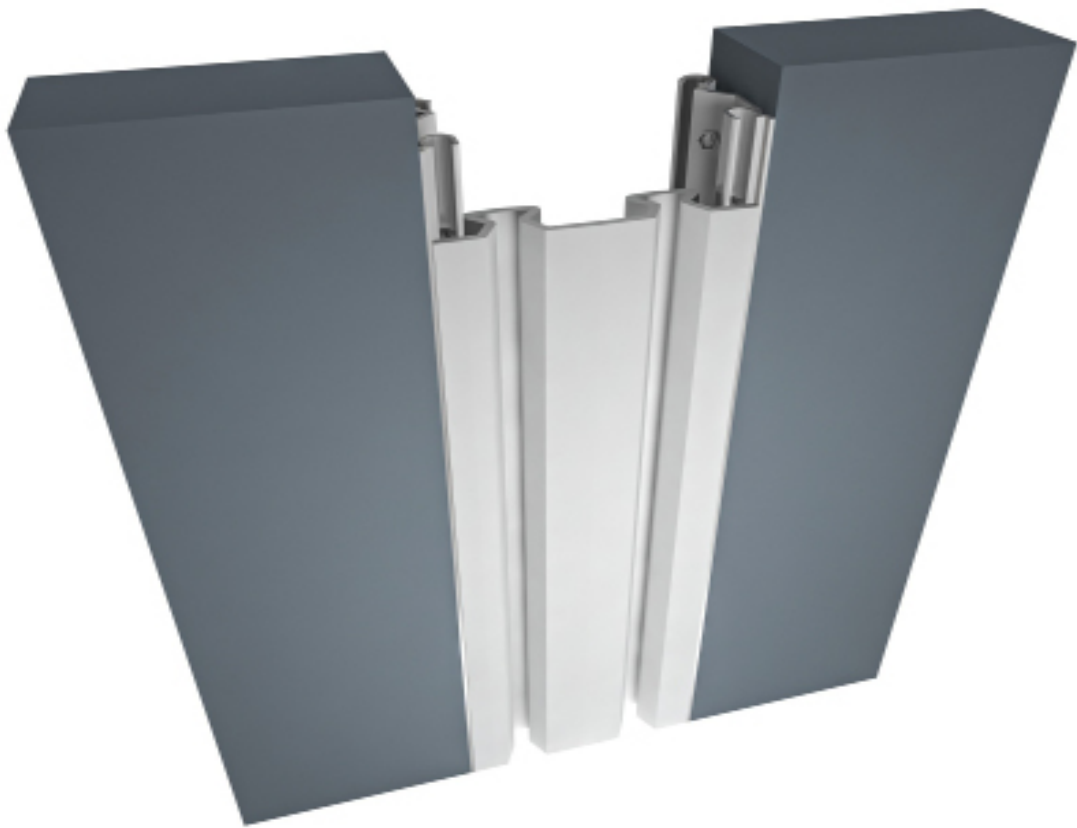




i710[®] Submittal



Wall to Wall or Ceiling to Ceiling
Wall to Corner or Wall to Ceiling

Flush Mount Interior Expansion Joints

i710[®]



Product
Guide



Interior



Fire Rated
Option



seismic

Description

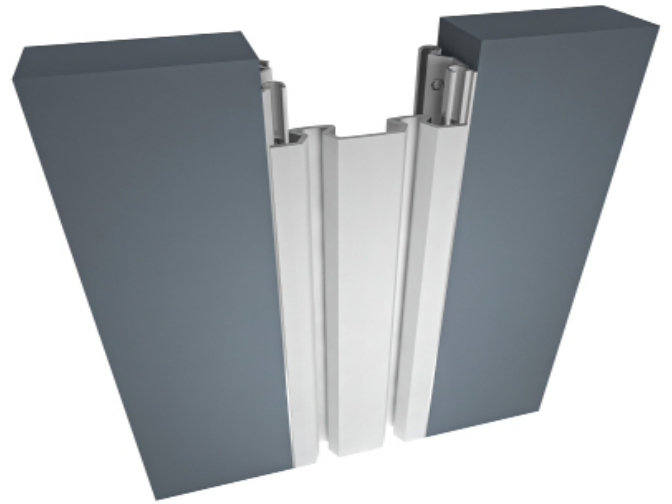
The **i710[®]** interior wall + ceiling expansion joint system is flush mounted to reduce sightline. Additionally, the pleated seal comes in a variety of colors to blend into your wall material.

Key Features

- **Install Condition:** Wall/Wall, Ceiling/Ceiling.
- **Joint width:** 50-150mm.
- Flush mount interior systems reduce sightline.
- Standard seal colors: black, beige, gray, off white and bright white. Custom colors available upon request.
- 3 component interior system.
- May be installed to various substrates with mechanical anchors or epoxy adhesive.
- Mill finish aluminum.

Materials

Aluminum: Alloy types of 6061-T6, 6063-T6, 6005A, or 5052-H32 sheet goods.



Application Instructions

Installation: Joint systems: Install in accordance with manufacturer's instructions.

Align work plumb, level and flush with adjacent surfaces. Mechanically anchor to substrate. Allowances should be made where actual structural gap at time of installation varies from nominal design gap. No shimming of frames is permitted. Coordinate with work of other Sections.

If concrete blockouts (rebates) are required, ensure continuous support equal to surrounding substrate structural values.

Fire Rated Assemblies: Where required, install to manufacturer's instructions.

Moisture Barrier: Where required, install to manufacturer's instructions.

Flush Mount Interior Expansion Joints

i710[®]



Protect: the completed Expansion Control system work from damage during construction. Damage protection includes surface abrasion and overloading of coverplate by materials handling equipment and construction waste/debris. Protection from environmental factors required throughout installation process until Project Closeout. Protection includes but is not limited to rain events, moisture protection, exposure to temperature fluctuations or direct sunlight for temperature sensitive product offerings.

Store

Store components in original containers in a clean, dry location. Ensure temperature or moisture sensitive components are stored in a tempered location.

Contractor to provide temporary protective covers on all installed finished surfaces. Protection is required to guard against both surface abrasions as well as overloading of horizontal deck components by construction traffic .

Movement ± 50%

Application	System	W	H1	H2	S	B	Movement +/-		L
		Joint Width	Frame Height 1	Height 2	Sightline	Blockout	Horizontal	Vertical	Load
		mm	mm	mm	mm	mm	mm	mm	Kn
Wall/Wall Ceiling/ Ceiling	i710-50	50	49	*	50	*	25	25	*
	i710-75	75	49	*	75	*	38	38	*
	i710-100	100	49	*	100	*	50	50	*
	i710-125	125	49	*	125	*	63	63	*
	i710-150	150	49	*	150	*	75	75	*
Wall/Corner Wall/Ceiling	i710-C-50	50	49	*	50	*	25	25	*
	i710-C-75	75	49	*	75	*	38	38	*
	i710-C-100	100	49	*	100	*	50	50	*
	i710-C-125	125	49	*	125	*	63	63	*
	i710-C-150	150	49	*	150	*	75	75	*

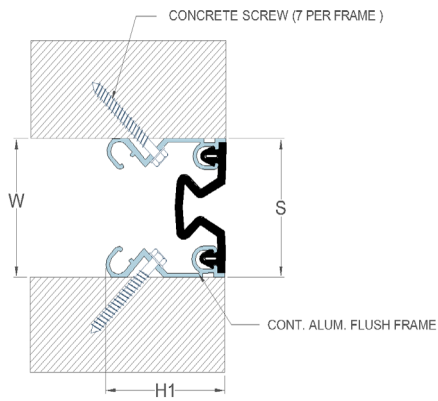
Wall to Wall or Ceiling to Ceiling
Wall to Corner or Wall to Ceiling

Flush Mount Interior Expansion Joints

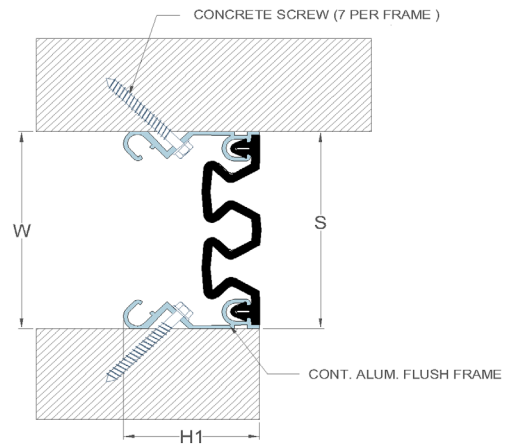
i710[®]



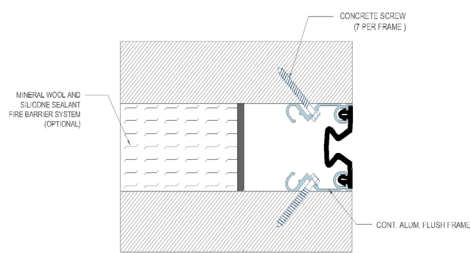
Series i710 - 50



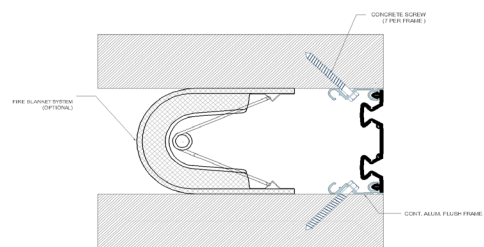
Series i710 - C-75



Series i710 - 50 Mineral Wool & Sealant Fire Barrier Options



Series i710 - 100 FireStop S30 Options



Wall to Wall or Ceiling to Ceiling
Wall to Corner or Wall to Ceiling

Flush Mount Interior Expansion Joints

i710[®]



Our Previous Submittals & Approvals

MATERIAL SUBMITTAL (MS)

Project Name : O-West
 Project No. : 1223
 Employer : ORASCOM Development
 Site Supervision Consultant: NATURE FOR ENGINEERING CONSULTANCY

Package : Commercial Building
 Phase : Landscape
 Contractor: RED SEA Construction

From : RED SEA Construction
 To : NATURE FOR ENGINEERING CONSULTANCY
 Attn. : Eng / MOHAMED SHALABY

Date : 03-07-2024
 Submittal Ref.: DW-NAT-23-MS-ARCH-016-01
 Previous Ref.: _____

Subject : **OBD PACKAGE - EXPANTION JOINTS**

Material/ Equipment For Approval: 3 Samples
 Description : **EXPANTION JOINTS (WALL TO WALL - WALL TO FLOOR - FLOOR TO FLOOR- COVER- COLOR RUBER GRAY- COLOR RUBER BEIGE - FLOOR TO FLOOR METAL)**

Specification Reference : _____ Quantity : _____ Bill of Quantities Reference : _____

Manufacturer's Details:
 Manufacturer : iChem
 Model Number : _____ Serial number : _____
 Country of Origin : _____ Certificate of origin : _____
 Storage Location : _____

Red Sea Construction
 Project O - West
 Date of arrival on site: _____
 Bill of lading: 03 JUL 2024
 Signature: _____
 Contractor
 Multiple Locations & Branches

15 JUL 2024

Action Code Legend:
 (A) Approved (B) Approved as Noted (C) Revise and Resubmit (D) Rejected

Notes:
 * Production, supply and for implementation shall proceed only when action code is A / or B.
 * Regarding action code C, resubmittal shall be within the limit set in the contract.
 * Review Date not relieve the contractor from responsibility of compliance with all requirements of contract documents.
 * If rejected please see comments.

Consultant Comments:
 Inspection Report:

	Yes/No	Initials Inspector	Engineer
1- Physical damage?			
2- Details given above correct?			
3- Conforms with approved submission?			
4- Accessories / Spare parts included?			

Remarks : *wall to wall / 1 1/2 floor - 50 +*

Consultant Manager Remarks: *wall to floor / 1-424G 50 + with PVC liner*
floor to floor / 424 - 50 + with PVC liner
Color per ORF to confirm or advice
else

Actions required from Contractor:
 Hard Copy Soft Copy (CD)

Site Supervision Consultant
 Authorized Representative

Employer's Representative Comments (if required):
Approved with cover sample No: 4 After Submitting sample with beige color for cover to match with marble and for out door
4 - JUL 2024
 Approved gray color for Sidewalks & Roads + Plankers

i710 Submittal - November 2024, Version 1.1.6



Office : 22 El-Shaheed Mohamed Abd
 El-Hadi Street, Nasr City, Cairo
 Website : www.iChemEg.com
 Email : info@ichemeg.com

