



Installation Instructions

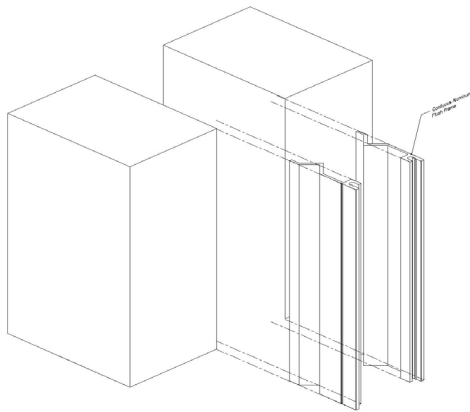
i317[®]



Preparation of The Work Area:

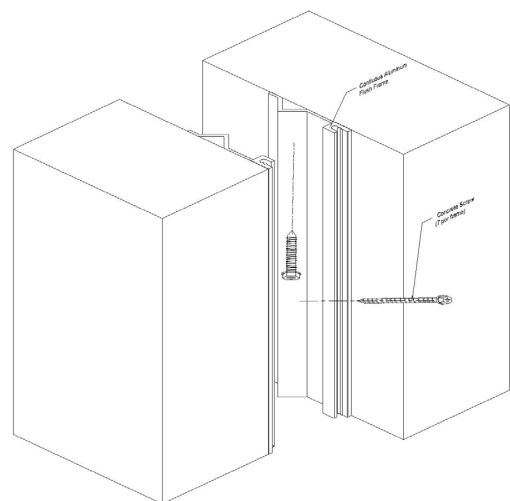
- Please read through entire instructions before installation.
- Make sure the width and depth of the joint face are 90 to the slab's surface.
- Measure along length of joint to ensure opening is correct size for joint material.
- Remediate deviations that exceed product tolerances.
- To ensure successful installation, clean the joint edge of all contaminants and impurities.

Installation Instructions Steps:

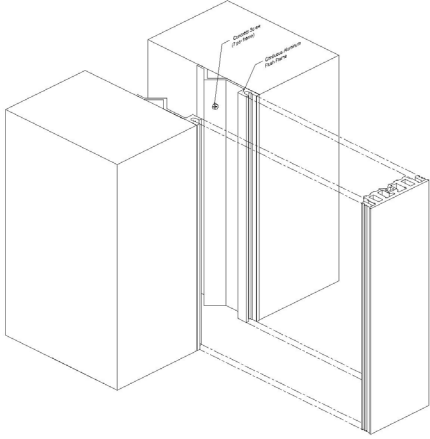


1. Install the architectural joint system frame against the adjacent wall. Transfer the location of the bottom edge of the recessed frame to the wall using a marker

2. Cut the aluminum frames to the desired length
3. Center the frame assembly over the structural gap
4. Mark the pre-drilled hole locations on the substrate
5. Remove the frame assembly from the gap



7. Press the Santoprene seal into the recessed slots of the frames until the seal is flush with the bottoms of the frames



8. Clean the exposed surfaces with a non-solvent cleaner

