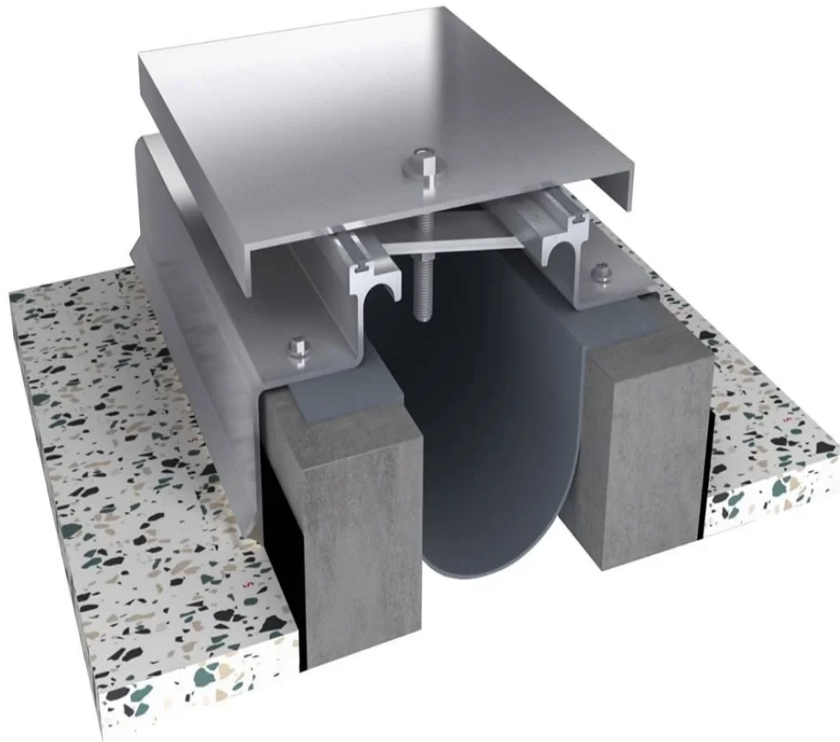




Installation Instructions

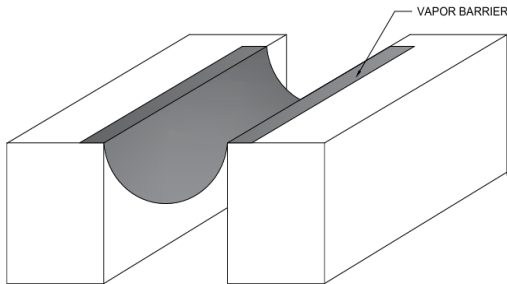
i120[®]



Preparation of the Work Area:

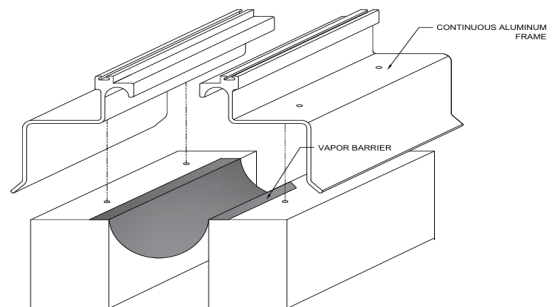
1. Please read through entire instructions before installation.
2. Make sure the width and depth of the joint face are 90 ° to the slab's surface.
3. Measure along length of joint to ensure opening is correct size for joint material.
4. Remediate deviations that exceed product tolerances.
5. To ensure successful installation, clean the blockout/joint edge of all contaminants and impurities.

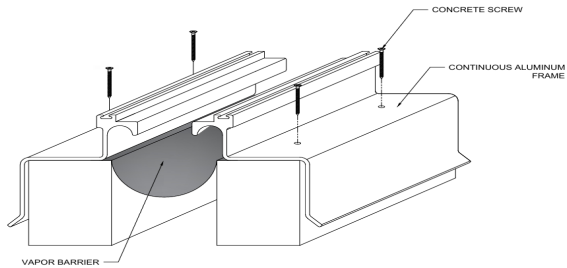
Installation Instructions Steps:



1. Install moisture barrier membrane into joint
2. Cut the aluminum plates to the desired length
3. Place the plate against the brick curb with the radius profile of the frames facing the structural gap

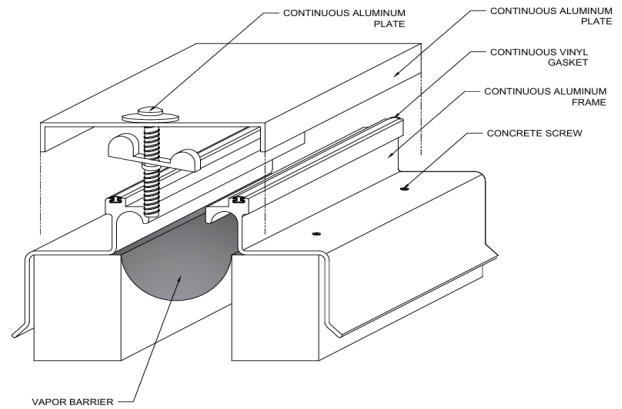
4. Mark the pre-drilled hole locations on the substrate



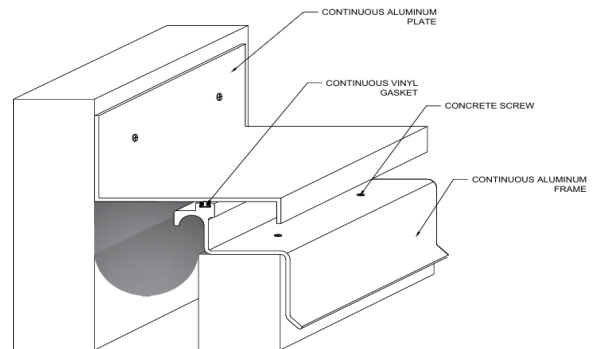
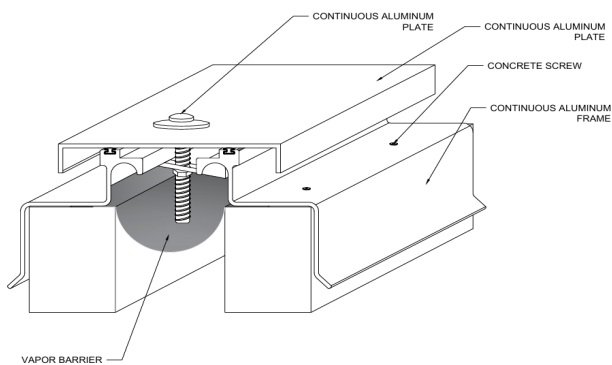


- Reference project details to verify final frame position
- Return the plates into position over the drilled hole locations and secure in place with one flat head screw for each anchor

- Place the plate assembly centered over the frames
- Tighten the screws to engage the center bar in the frame channels



- Clean the exposed surfaces with a non-solvent cleaner



Installation Instructions- January 2024, Version 1.1.5

